

SCC SERIES

Replacement Chassis for Singer/McQuay HCC Series



The Shorefit® SCC series replacement chassis provides environment friendly, high efficiency cooling and heating where individual, quiet control is a priority. This application flexible unit is a direct replacement for Singer/McQuay HCC series vertical stacked water source heat pump chassis. The chassis is a part of a complete system, which consists of the chassis, blower section, control box, and furred-in room cabinet with risers. The chassis contains the compressor, air side heat exchanger, water side heat exchanger, Jones plug, and control panel and safety components.

The SCC series has two chassis sizes, small (models 090 and 120), and large (models 180 and 240). Both chassis sizes are dimensionally identical to the original for a fast, easy, and trouble-free installation. Quality components, careful design and testing and the latest in environment friendly technology mean long unit life, user satisfaction, and lower energy costs. Shorefit® is the replacement solution for upgrading old, worn out, inefficient original chassis. The extensive list of unit features includes:

- Quiet, durable, and efficient compressor with built-in pressure and temperature protection
- Heavy gauge G90 galvanized steel construction
- Powder painted drain pan
- High efficiency copper tube-aluminum fin evaporator coil
- High efficiency coaxial condenser coil with low water-side pressure drop
- Lock out circuit* with reset at thermostat or circuit breaker
- Jones plug electrical connector
- High pressure switch
- Frost-free cooling
- Water coil freeze protection
- Refrigerant circuit access ports
- Precision selected capillary tube refrigerant control
- Positive shift reversing valve
- R-410A refrigerant
- 1/2 Inch FPT water connections
- Chassis pull handle facilitates easy chassis removal and handling
- 1 Inch Fiberglass or natural fiber air filter

* Model specific. May include lock out circuit, five minute anti-short cycle timer or interconnect control utilizing control panel logics.



APPLICATION & BENEFITS

Fast and Easy Replacement

The Shorefit® SCC series replacement chassis fits the existing Singer/McQuay room cabinets and works with the existing blower section and control box without modification. Because the chassis dimensions and construction details are like the original, replacement work is fast and easy. The chassis installs without the need for water loop shut-down or draining. Water, drain and electrical connections line right up to the original installation. The electrical connectors plug directly into the control box connectors. A chassis pull handle is provided to facilitate easy removal and handling. Using Shorefit® replacements eliminates the need for room renovation, redecorating, and piping changes and is the solution that gets your property back in service quickly and at the lowest total cost.

Damage Protection

The standard high-pressure switch and evaporator coil freeze protection stop unit operation before damage occurs, should airflow become reduced or obstructed due to dirty coils, obstructed airflow, or motor failure or lock up. A freezestat protects the water coil from freeze damage due to water temperature or flow problems. The water coil is designed for low water-side pressure drop, eliminating potential pump sizing and water flow problems.

Options and Accessories

- Blower sections
- Return air panels
- 115V, 265V/277V (Availability varies by model sizes)
- Control options
- Flow control valve
- Hose kits

Warranty

All units are provided with a 12-month parts warranty (from date of ship) for all components.

Note: The replacement chassis performance is based on providing the proper airflow through new chassis. Existing fan assemblies affect airflow due to corrosion and caked-on dirt. Fan motors affect airflow due to age or improper specifications. Cleaning / repair / replacement of blowers is required prior to installation of new chassis. New fan/motor assemblies allow your replacement chassis to perform properly for years to come.

SCC SERIES

Replacement Chassis for Singer/McQuay HCC Series



Performance Ratings - Shorefit® SCC

Model	Cool* Btuh	Sens Btuh	EER*	Heat* Btuh	COP*	CFM Hi/Low	GPM	Coil PD	Refrigerant
SCC-10	9,900	7,600	13.3	11,700	4.37	300	2.5	1.8'	R-410A
SCC-12	11,800	8,600	13.5	13,100	4.20	350/300	3.0	2.5'	R-410A
SCC-20	18,500	13,250	13.8	21,950	4.50	580/430	5.0	4.0'	R-410A
SCC-24	23,000	17,000	13.6	27,000	4.40	830/680	6.0	6.5'	R-410A

Continuous engineering improvements may result in performance changes without notice.

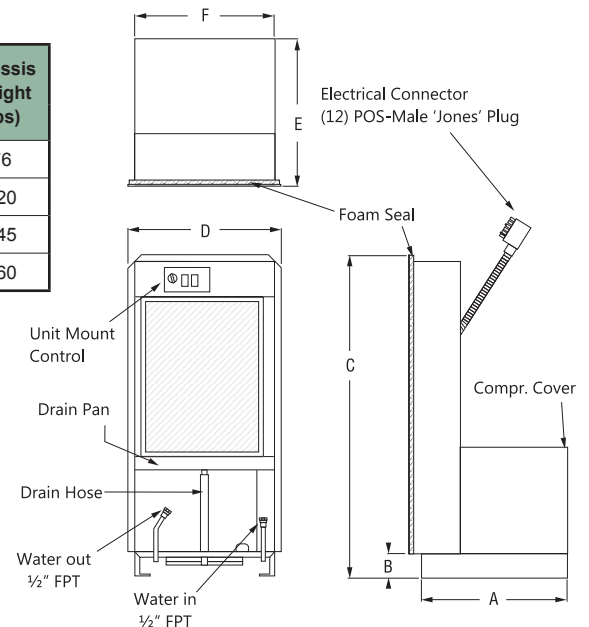
* Includes 1250Btu/1000 CFM fan heat and 365w/1000 CFM fan power. Fan power and pumping corrections are not included for rating purposes. 208v data shown. 115v and 265v ratings may vary.

Unit Sizes

Model	A	B	C	D	E	F	Filter Size	Chassis Weight (lbs)
	Inches							
SCC-10	13.7	2.7	39.0	15.2	14.7	14.2	14 x 16 x 1	76
SCC-12	13.7	2.7	39.0	15.2	14.7	14.2	14 x 16 x 1	120
SCC-20	16.5	3.0	39.0	18.2	17.6	17.1	17 x 18 x 1	145
SCC-24	16.5	3.0	39.0	18.2	17.6	17.1	17 x 18 x 1	160

Electrical Data

Model	Compressor Type	Voltage Volt-Hz-Ph	RLA	LRA	Total Amps	Ckt Amps	Max Fuse	Min Volts
SCC-10	Rotary	208/230/60/1	3.7	22.0	3.7	5.0	15	197
SCC-10	Rotary	265/60/1	3.5	22.0	3.5	5.0	15	240
SCC-12	Rotary	208/230/60/1	4.7	25.0	4.7	6.0	15	197
SCC-12	Rotary	265/60/1	4.2	22.0	4.2	6.0	15	240
SCC-20	Rotary	208/230/60/1	7.4	33.0	7.4	6.0	15	197
SCC-20	Rotary	265/60/1	6.0	28.0	6.0	8.0	15	240
SCC-24	Recip.	208/230/60/1	7.4	43.0	7.4	10.0	15	197
SCC-24	Recip.	265/60/1	6.7	46.0	6.7	8.0	15	240



P.O. Box 1390 • Easton, MD 21601 USA
 Tel. 410-822-9200 • Fax: 410-822-8926
www.shorefithvac.com

