



## S16 SERIES

816/817 Heat Pump  
Replacement Chassis

Also in Cooling Only, Heating Only



### Product Benefits

- OEM Quality Replacement
- Reliable Operation
- Low Sound Level
- Fast and Easy Replacement
- Damage Protection

# SHOREFIT® S16 CHASSIS SERIES

## Replacement Chassis for ClimateMaster 816 and 817 Series

The Shorefit® S16 replacement chassis is designed to replace ClimateMaster 816 and 817 units. They are available in nominal ¾, 1, 1½, 2, 2½ and 3 ton capacities. As part of a complete system, the Shorefit® S16 unit is engineered to fit into the existing cabinet space with matching electrical/water connections as the original unit. Each unit utilizes quality energy efficient components and is tested in our psychrometric room to confirm safety, reliability and performance at multiple operating conditions. The extensive list of unit features includes:

- Low pressure drop air coil
- Stainless steel drain pan
- Refrigerant circuit access ports
- Compressor protection
- Low and high temperature protection
- Low and high pressure protection
- Environmentally friendly refrigerant
- ETL listed for safety and construction

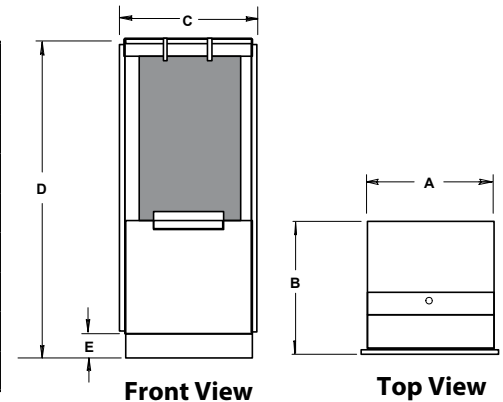
## Performance Ratings - Shorefit® S16 Chassis

Model	Rated CFM	Minimum CFM	GPM	Water Loop Heat Pump			
				Cooling 86°F		Heating 68°F	
				Capacity Btuh	EER Btuh / W	Capacity Btuh	COP
030	320	220	2.2	9,200	14.3	10,800	4.7
040	420	280	3.2	12,200	14.7	14,700	5.2
060	690	470	4.9	18,400	15.7	23,700	5.5
080	920	650	6.4	25,800	15.0	30,200	4.8
100	1,000	680	7.3	28,600	13.5	36,100	4.5
120	1,170	780	8.4	35,000	13.5	44,700	4.5

Cooling based upon 80.6°F DB, 66.2°F WB entering air temperature. Heating based upon 68°F DB, 59°F WB entering air temperature. Includes 475 Btu/1000 CFM fan heat and 140 watts/1000 CFM fan power, plus water pumping power. 208V data shown. 265V ratings may vary.

## Unit Sizes

Model	A	B	C	D	E	Unit Weight (lbs)	Unit Packaging W x D x H	Filter Size
	Inches							
030	14.4	15.4	15.3	36.5	3.1	92	16.5 x 19.2 x 40.0	14 x 20 x 1
040	14.4	15.4	15.3	36.5	3.1	94	16.5 x 19.2 x 40.0	14 x 20 x 1
060	17.4	18.5	18.4	41.0	4.0	174	20.0 x 21.0 x 42.7	17 x 24 x 1
080	21.6	22.5	22.6	41.1	4.1	192	23.0 x 23.0 x 53.5	21 x 26 x 1
100	21.6	22.5	22.6	41.1	4.1	195	23.0 x 23.0 x 53.5	21 x 26 x 1
120	21.6	22.5	22.6	41.1	4.1	198	23.0 x 23.0 x 53.5	21 x 26 x 1

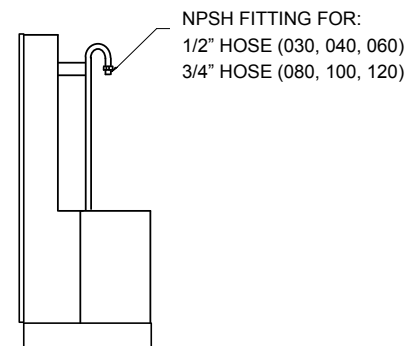


## Unit Shipping

Model	Single Unit		Multiple Units		
	Skid Size W x D x H (in)	Total Skid Weight (lbs)	Skid Size* w x h x d (in)	Skid Weight** (lbs)	Max Units (#)
030	24 x 24 x 46	108	48 x 48 x 34	40	4
040	24 x 24 x 46	110	48 x 48 x 34	40	4
060	24 x 24 x 49	190	48 x 48 x 38	40	4
080	24 x 24 x 60	208	48 x 48 x 38	40	4
100	24 x 24 x 60	211	48 x 48 x 48	40	4
120	24 x 24 x 60	214	48 x 48 x 48	40	4

\* Maximum skid size

\*\*Total skid weight = (number of units x unit weight) plus skid weight



Right Side View

## APPLICATION & BENEFITS

The Shorefit® S16 series is designed to work with the existing blower section and can be ordered with a control and wiring configuration to match specific projects. Vertical stack units can incorporate special configurations not identified in the model number. Tools are available to assist in gathering this additional information.

### Low Sound Level

The refrigeration chassis includes a compressor that incorporates engineered vibration isolators installed on a heavy gauge base with a mounting system to maximize vibration dampening. A sound dampening enclosure constructed of heavy gauge metal lined with acoustical insulation encases the refrigeration circuit.

### Fast and Easy Replacement

The refrigeration chassis consists of the compressor, air coil, water coil, reversing valve, expansion device, filter-dryer and safety controls designed for easy removal after disconnecting hoses and a polarized electrical power plug.

### Damage Protection

Units are provided with high pressure, low pressure and low water temperature safety controls configured in a lockout circuit to prevent damage to the compressor. The compressors are wired with either internal or external overload protective devices.

### Common Options and Accessories\*

- Heat Pump, Cool Only and Boilerless
- Geothermal Construction
- Automatic Flow Control Valve
- Electric Two-Way Valve
- Electro-Mechanical Controls
- Fan Housing Motor Assemblies
- Return Air Panels
- Hose Kits
- Unit Power Voltage
- Air Filters

\* varies by project

### Warranty

All units are provided with a 12-month parts warranty (from date of ship) for all components.

*Note: The replacement chassis performance is based on providing the proper airflow through new chassis. Existing fan assemblies affect airflow due to corrosion and caked-on dirt. Fan motors affect airflow due to age or improper specifications. Cleaning / repair / replacement of blowers is required prior to installation of new chassis. New fan/ motor assemblies allow your replacement chassis to perform properly for years to come.*

## Electrical Data

Size (Tons)	Compressor Type	Voltage Volt-Hz-Ph	Compressor		Voltage Limitations		Total Amps	Minimum Circuit Ampacity	MOPD						
			RLA*	LRA	Min	Max									
030 (0.75)	Rotary L	208-60-1	5.1	22.0	197	252	See Calculation Note Below								
		230-60-1													
		265-60-1	4.5	22.0	239	292									
040 (1.00)	Rotary L	208-60-1	6.4	25.0	197	252				See Calculation Note Below					
		230-60-1													
		265-60-1	5.1	22.0	239	292									
060 (1.50)	Rotary L	208-60-1	7.7	38.0	197	252							See Calculation Note Below		
		230-60-1													
		265-60-1	7.1	30.0	239	292									
080 (2.00)	Reciprocating B	208-60-1	7.4	43.0	197	252									
		230-60-1													
		265-60-1	6.7	46.0	239	292									
100 (2.50)	Reciprocating B	208-60-1	9.9	54.0	197	252	See Calculation Note Below								
		230-60-1													
		265-60-1	8.5	46.0	239	292									
120 (3.00)	Reciprocating B	208-60-1	13.0	74.0	197	252				See Calculation Note Below					
		230-60-1													
		265-60-1	10.5	67.0	239	292									

\*Note: Chassis compressor only - Does not include fan/motor or electric heat loads. Use this value with the cabinet loads to calculate minimum power supply circuit ampacity (Clause 37.14 of UL 1995 4th Ed) and maximum current rating of overcurrent protection (Clause 37.15 of UL 1995 4th Ed).

## Continuous Operating Limits

Model	Ambient Air °F		Entering Air °F				Entering Fluid °F	
	Min	Max	Min		Max		Standard Range (TXV)	
	DB	DB	DB	WB	DB	WB	Min	Max
Cooling	60	100	75	63	100	83	60	120
Heating	60	80	60	-	80	-	60	90

Caution: Fluid temperatures listed above refer to pure water. Do not supply water at a temperature below the minimum. Extended range applications require insulated risers and design-condition antifreeze solution.



# THE SHOREFIT® DIFFERENCE

Shorefit® HVAC products are engineered to exceed OEM specifications in these and other applications:

- Hotels
- Condominiums
- Dormitories
- Apartments
- Senior Living Facilities
- Offices

## Replacement Products that are Sure to Fit

Shorefit® HVAC relies on years of experience and product innovation synonymous with The Whalen Company to develop products that are sure to fit your application. Our long-term commitment to this endeavor assures you of systems that are high quality, operate reliably and provide the best value to the customer. To learn more about how Shorefit® can help you save time and money on your next project, contact your local Shorefit® representative, call **410-822-9200** to speak with one of our specialists, or e-mail your request to [sales@shorefithvac.com](mailto:sales@shorefithvac.com).

Shorefit® provides customer support, replacement parts, and OEM style replacement products designed and engineered to meet and exceed original factory specifications in order to keep your comfort system running at peak performance. Utilizing an independent sales representative network across North America, help is not far away. Make sure that your next retrofit project runs smoothly by putting Shorefit® to work for you.

*\*Shorefit® is a registered trademark of The Whalen Company*

Your Shorefit® Representative:



P.O. Box 1390 • Easton, MD 21601 USA  
Tel. 410-822-9200 • Fax: 410-822-8926  
[www.shorefithvac.com](http://www.shorefithvac.com)

